

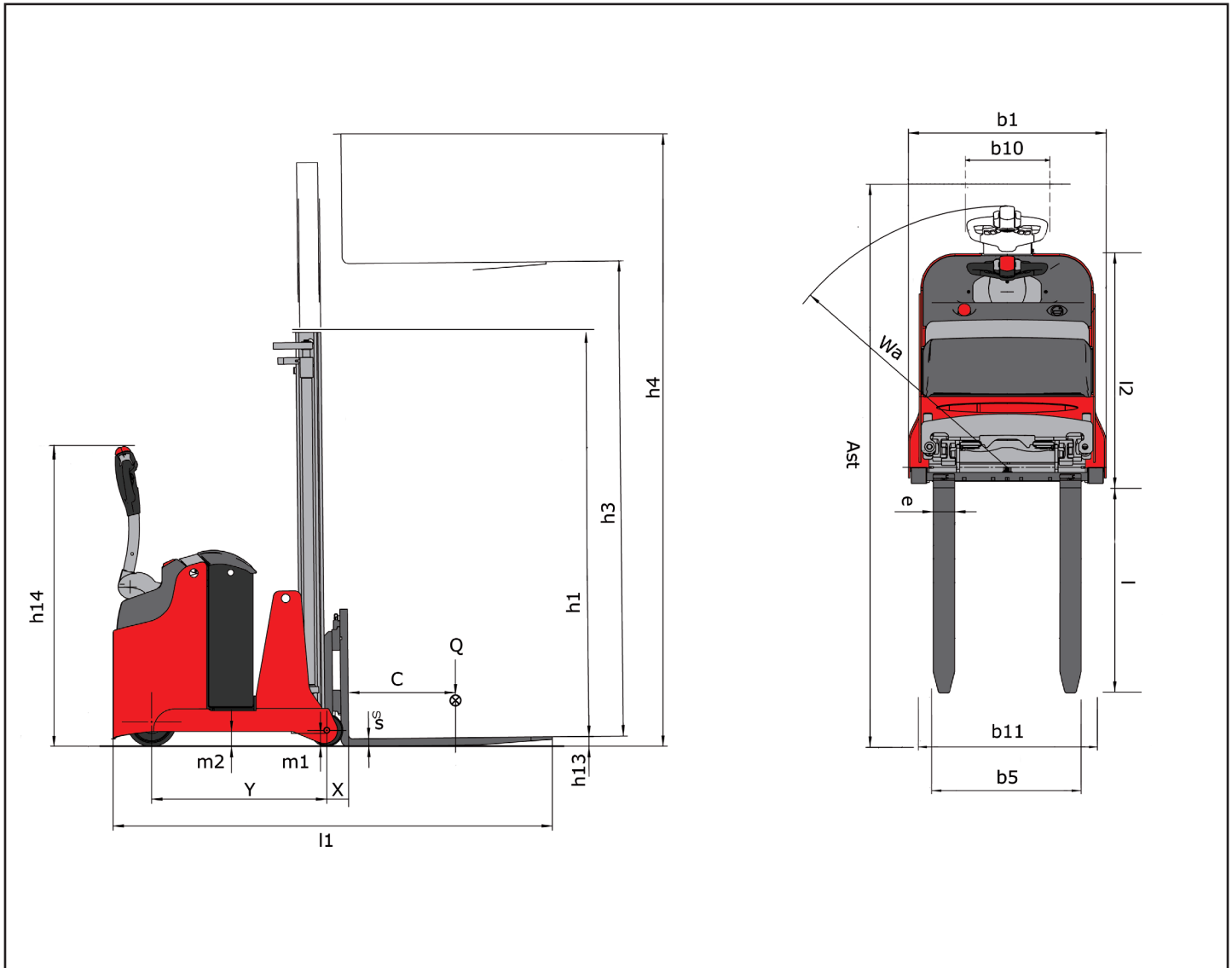


 **MANITOU**



				MANITOU	MANITOU	MANITOU
				ES504 GPF	ES507 GPF	ES510 GPF
		Q	kg	400	700	1000
		c	mm	400	400	500
		x	mm	96	96	101
		y	mm	817	932	1047
			kg	1400	1500	1700
			kg	1557/243	1893/307	2420/280
			kg	800/600	820/680	840/860
			mm	230x70	230x70	230x70
			mm	150x70	150x70	150x70
				1x2	1x2	1x2
		b11	mm	826	826	826
		h3	mm			
			mm			
		h14	mm	1385/830	1385/830	1385/830
		h13	mm	35 ⁺¹⁰⁻⁰	35 ⁺¹⁰⁻⁰	40 ⁺¹⁰⁻⁰
		l1	mm	1900*	2015*	2285*
		l2	mm	1100*	1215*	1335*
		b1	mm	923	923	923
		s / e / l	mm	30x60x800	30x90x800	35x100x950
		b5	mm	650/190	680/220	690/230
		m2	mm	69	69	69
		Ast	mm	2705**	2820**	2935**
		Wa	mm	1220**	1335**	1450**
			km/h	4,5/4,5	4,5/4,5	4,5/4,5
			m/s	0,18/0,3	0,18/0,3	0,18/0,3
			m/s	0,27/0,22	0,27/0,22	0,27/0,22
			%	7/10	7/10	7/10
			kW	1,5	1,5	1,5
			kW	3	3	3
				DIN 43535-B	DIN 43535-B	DIN 43535-B
			V/Ah	24/175**	24/175**	24/175**
			kg	175	175	175
			db (A)	65	65	65

*
**



ES 5 GPF										
			SVC 15	SVC 17	DVL29	DVL34	DVL38	DLL 29	DLL 34	TLL 42
h3	mm	1420	1670	2850	3350	3750	2850	3350	4160	
h1	mm	1931	2181	1931	2181	2381	1931	2181	1956	
h2	mm	1420	1670	N	N	N	1420	1670	1380	
h4	mm	2070	2320	3500	4000	4400	3500	4000	4810	

